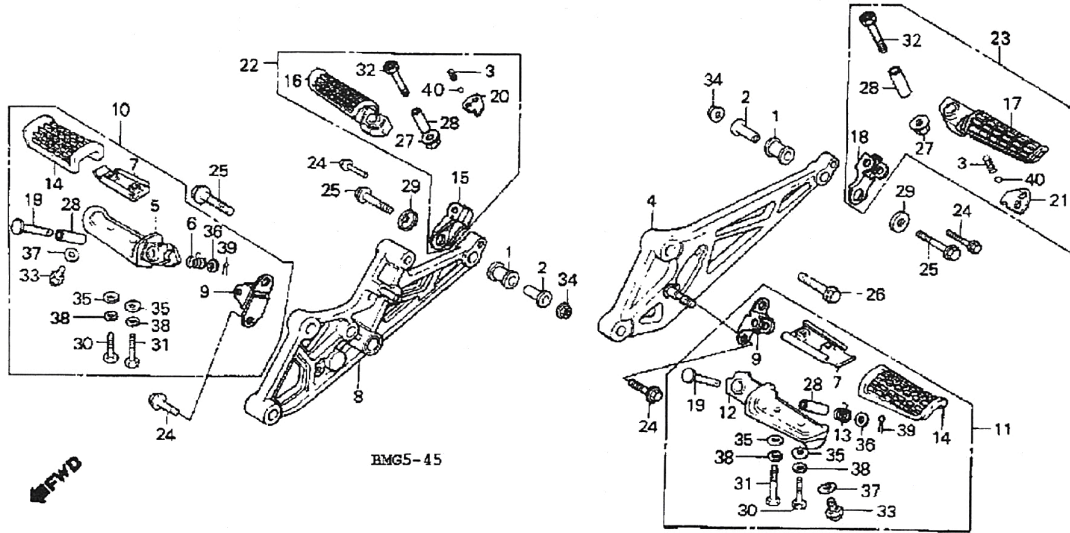
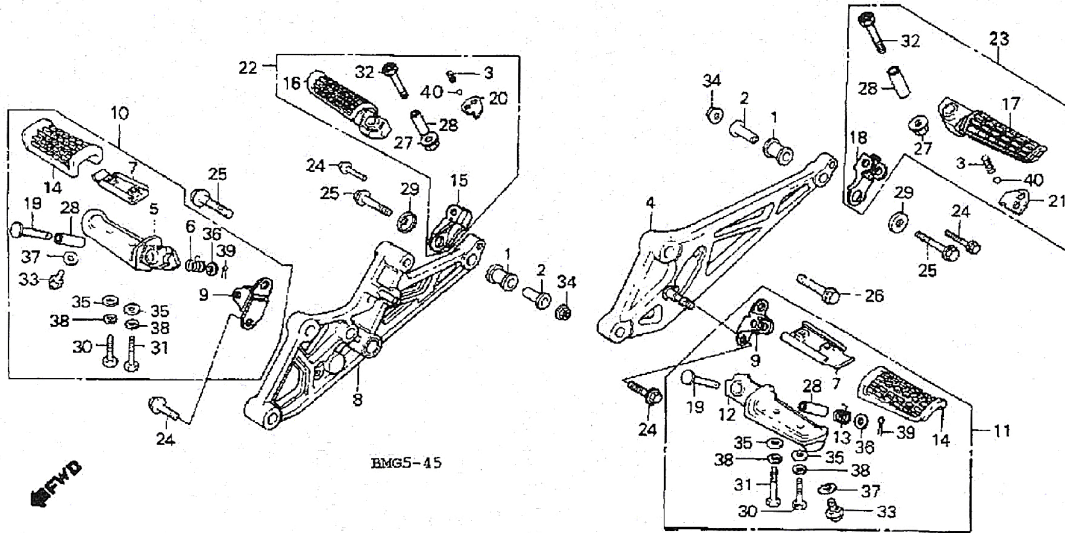


Product Line	MOTORCYCLE	Model Name	-----
Model Designation	CB1100F	Model Year	1983
Area	CM	Origin	JPN
Colour			
Section	FRAME	Illustration	STEP



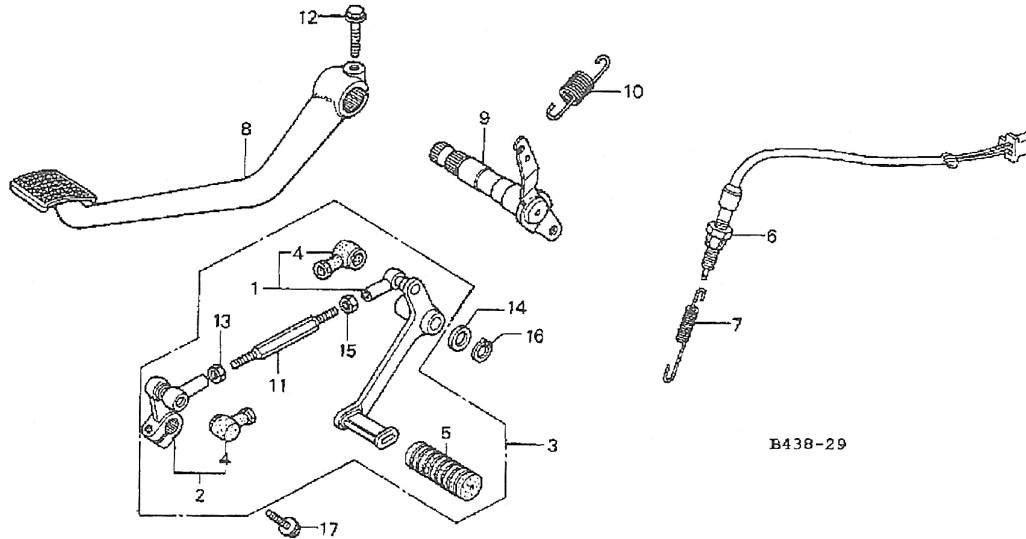
Ref.	Part Description	SRA Code	Qty.	Part Number	MSRP	Area	Origin	Colour	Serial From	Serial To
001	RUBBER, MUFFLER SETTING		002	18421-438-670	4.38	CM	JPN			
002	COLLAR, MUFFLER MOUNTING		002	18422-438-000	4.36	CM	JPN			
003	SPRING, KICK STARTER STOPPER		002	28333-300-000	2.17	CM	JPN			
004	HOLDER, L. STEP	D	001	50610-MG5-610	201.70	CM	JPN			
005	ARM, R. FOOTPEG	D	001	50612-445-840	73.35	CM	JPN			
006	SPRING, R. STEP RETURN		001	50617-445-840	3.19	CM	JPN			
007	PLATE, STEP STOPPER	D	002	50619-425-700	6.21	CM	JPN			
008	HOLDER, R. STEP	D	001	50620-MG5-610	189.38	CM	JPN			
009	BRACKET, L. FOOTPEG	D	002	50628-445-840	18.22	CM	JPN			
010	STEP ASSY., R. MAIN	D	001	50630-445-840	110.04	CM	JPN			
011	STEP ASSY., L. MAIN	D	001	50640-445-840	110.04	CM	JPN			
012	ARM, L. FOOTPEG	D	001	50642-445-840	73.35	CM	JPN			
013	SPRING, L. STEP RETURN		001	50644-445-840	3.19	CM	JPN			
014	RUBBER, FOOTPEG		002	50661-425-700	10.18	CM	JPN			
015	BRACKET, R. PILLION STEP	D	001	50711-445-840	18.22	CM	JPN			
016	ARM, R. PILLION STEP	D	001	50712-445-840	66.11	CM	JPN			
017	ARM, L. PILLION STEP	D	001	50713-445-840	66.11	CM	JPN			
018	BRACKET, L. PILLION STEP	D	001	50714-445-840	18.22	CM	JPN			
019	PIN, FOOTPEG BAR JOINT	D	002	50716-438-000	3.04	CM	JPN			
020	PLATE, R. PILLION STEP CLICK	D	001	50718-445-840	2.59	CM	JPN			
021	PLATE, L. PILLION STEP CLICK	D	001	50719-445-840	2.59	CM	JPN			
022	STEP ASSY., R. PILLION	D	001	50720-445-841	110.04	CM	JPN			
023	STEP ASSY., L. PILLION	D	001	50730-445-841	110.04	CM	JPN			
024	BOLT, SPECIAL FLANGE (8X26)		004	90168-MA3-860	2.02	CM	JPN			
025	BOLT, SPECIAL FLANGE (10X50)		003	90176-422-000	5.01	CM	JPN			

Product Line	MOTORCYCLE	Model Name	-----
Model Designation	CB1100F	Model Year	1983
Area	CM	Origin	JPN
Colour			
Section	FRAME	Illustration	STEP



Ref.	Part Description	SRA Code	Qty.	Part Number	MSRP	Area	Origin	Colour	Serial From	Serial To
026	BOLT, SPECIAL FLANGE (10X38)	D	001	90178-422-000	4.03	CM	JPN			
027	NUT, FLANGE (M8X1.25) (SELF-LOCK)		002	90309-428-731	3.49	CM	JPN			
028	COLLAR, FOOTPEG PIVOT	D	004	90501-445-840	2.99	CM	JPN			
029	WASHER, SPECIAL (10MM)	D	002	90557-438-000	2.08	CM	JPN			
030	BOLT, HEX. (5X25)		002	92000-05025-0A	1.02	CM	JPN			
031	BOLT, HEX. (5X28)		002	92000-05028-0A	0.89	CM	JPN			
032	BOLT, HEX. (8X45)		002	92200-08045-0B	1.29	CM	JPN			
033	BOLT, CAP (8X12)		002	92500-08012-0A	2.07	CM	JPN			
034	NUT, FLANGE (10MM)		004	94050-10000	1.00	CM	JPN			
035	WASHER, PLAIN (5MM)		004	94101-05000	0.37	CM	JPN			
036	WASHER, PLAIN (8MM)		002	94101-08000	0.89	CM	JPN			
037	WASHER, PLAIN (8MM)		002	94102-08000	0.37	CM	JPN			
038	WASHER, SPRING (5MM)		004	94111-05000	0.37	CM	JPN			
039	PIN, SPLIT (1.6X15)		002	94201-16150	0.37	CM	JPN			
040	BALL, STEEL (#6) (1/4)		002	96211-08000	1.00	CM	JPN			

Product Line	MOTORCYCLE	Model Name	-----
Model Designation	CB1100F	Model Year	1983
Area	CM	Origin	JPN
Colour			
Section	FRAME	Illustration	BRAKE PEDAL - CHANGE PED



Ref.	Part Description	SRA Code	Qty.	Part Number	MSRP	Area	Origin	Colour	Serial From	Serial To
001	PEDAL, GEARSHIFT	D	001	24700-445-840	101.59	CM	JPN			
002	ARM, GEARSHIFT	D	001	24710-425-610	44.09	CM	JPN			
003	PEDAL ASSY., GEARSHIFT	D	001	24720-445-840	135.41	CM	JPN			
004	COVER, DUST		002	24724-422-000	4.57	CM	JPN			
005	RUBBER, CHANGE PEDAL		001	24781-371-000	3.44	CM	JPN			
006	SWITCH ASSY., RR. STOP		001	35350-438-000	18.29	CM	JPN			
007	SPRING, STOP SWITCH		001	35357-425-610	4.38	CM	JPN			
008	PEDAL, RR. BRAKE	D	001	46500-445-840	175.87	CM	JPN			
009	SPINDLE, RR. BRAKE	D	001	46510-438-000	44.09	CM	JPN			
010	SPRING, BRAKE RETURN	D	001	46514-438-000	4.19	CM	JPN			
011	BOLT, TIE ROD	D	001	90065-425-610	9.73	CM	JPN			
012	BOLT, SPECIAL FLANGE (8X30)	D	001	90179-422-000	4.37	CM	JPN			
013	NUT, GOVERNOR ARM FIXING (LEFT HAND THREAD)		001	90201-700-000	1.20	CM	JPN			
014	WASHER (12MM)	D	001	90474-703-000	1.14	CM	JPN			
015	NUT, HEX. (6MM)		001	94002-06020	0.79	CM	JPN			
016	CIRCLIP (OUTER) (12MM)		001	94511-12000	1.04	CM	JPN			
017	BOLT, FLANGE (6X25)		001	96000-06025-02	1.58	CM	JPN			