

## ZR-REP-E230M Powered ZigBee Repeater

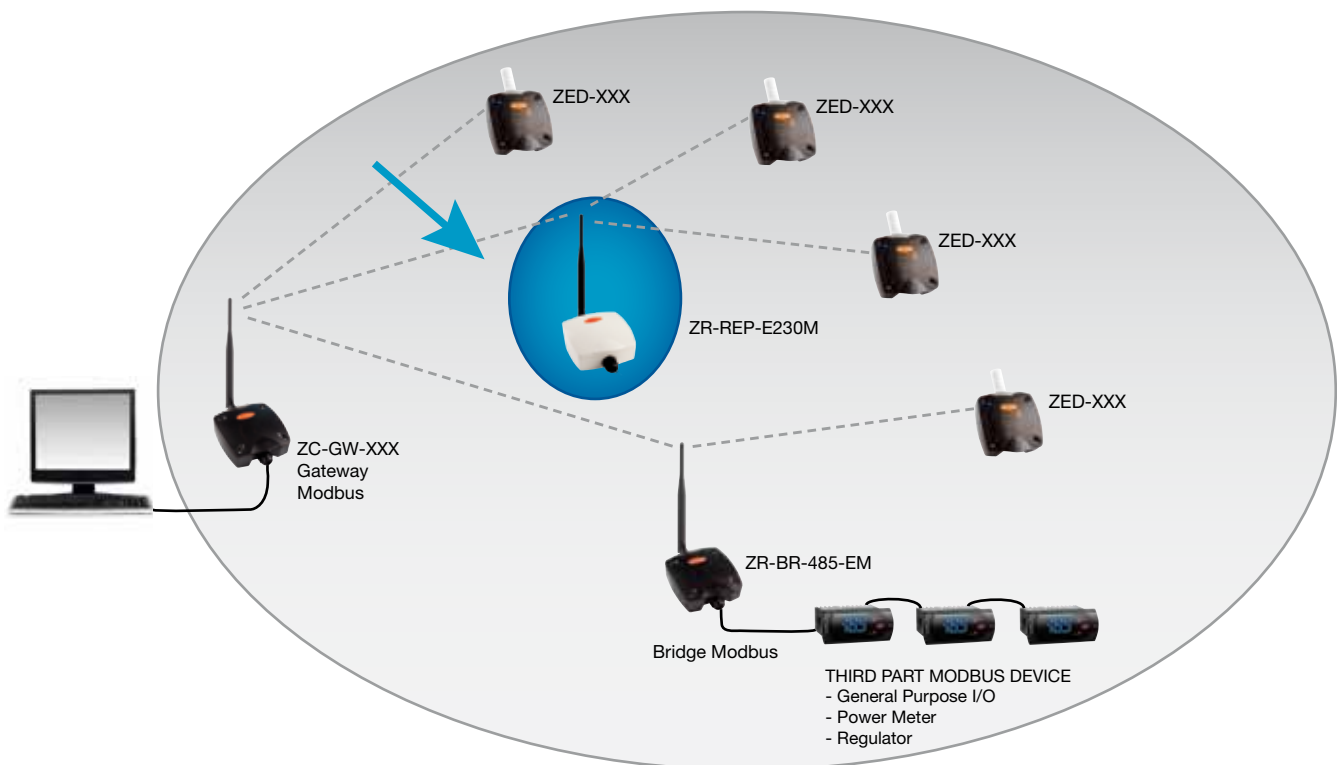


### ■ Key Features

- Repeating ZigBee messages between devices with poor link or out of coverage
- Routing function
- RF power 10mW
- External antenna
- 230 Vac power supply

The ZR-REP-E230M has the function to extend the radio range of devices making possible to cross obstacles or long distances; it can also act as a “parent” device for battery-powered sensors of the same family. It doesn't need any other connections with the exception for the power supply.

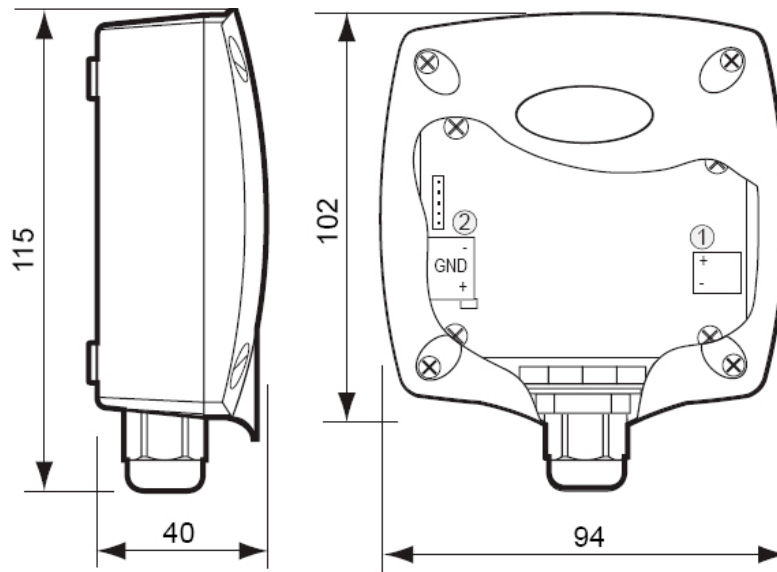
### ■ Typical Application



## ■ Technical Specs

General characteristics	Chip Ember EM250 Compatible IEEE 802.15.4 Stack EmberZnet 3.5.x (ZigBee PRO) Modbus/RTU
RF characteristics	Frequency: 2405 MHz ÷ 2480 MHz Modulation: DSSS Nominal transmission power: 10mW (10 dBm) Reception sensitivity: -97 dBm Extern antenna Gain: 5,5 dB Coverage outdoor/indoor: 200m/50m
Supply	230 Vac (±10%); 20mA; 50/60Hz
Connections	Bipolar Plug for CEI EN50075 with 2m cable
Environment parameters	Operating temperature: -10 ÷ +60°C; <80% U.R. not condensing Storage temperature: -20 ÷ +70°C; <80% U.R. not condensing Degree of protection: IP 55
Compliant with 2006/95/EEC, 89/336/EEC, 99/5/EEC directives Reference Norms:	ETSI EN 300 328: Radio Compatibility for digitals wide band transmissions ETSI EN 301 489: Radio Compatibility EN 61000-6-2: Electromagnetic Compatibility - Emissions EN 61000-6-3: Electromagnetic Compatibility - Immunity EN 60950-1: Electric Safety Insulation: Class II

## ■ Dimensions (mm)



Rev 2.4 11/01/2010

 **ZB-Connection** is a 4-noks brand

4-noks is a  **ZigBee**  
Member

**4-noks**<sup>®</sup>

4-noks s.r.l.  
Via per Sacile, 158  
31018 Francenigo di Gaiarine - Treviso - Italy  
Tel. (+39) 0434.768462 Fax (+39) 0438.694617  
info@4-noks.com - www.4-noks.com

 **2-EMBEDCOM**

2Embedcom, sl  
C/ Alemany 45, Local 2  
E-08303 Mataró · Barcelona [Spain]  
Tel. 0034 93 757 76 59  
4noks@2embedcom.com - www.2embedcom.com