

ZR-PLUG-EU-M

ZigBee electricity meter and remote control pass-through socket



Key Features

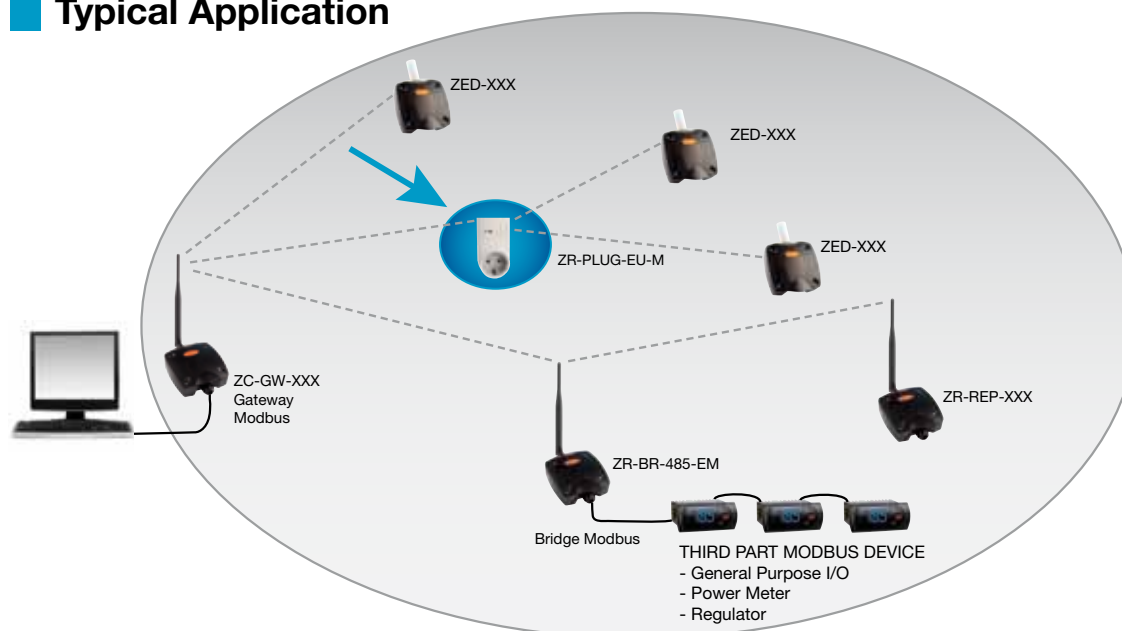
- Real Time Electricity Active Power Measurement up to 2,5 kW
- Electricity Energy Counter
- Remote switch up to 2,5 kW
- Stand-by killer
- Override push-button
- Pass-Through Socket for many countries available: French (ZR-PLUG-FR-M), UK (ZR-PLUG-UK-M), Italian (ZR-PLUG-IT-M), US (ZR-PLUG-US-M)
- ModBus profile on ZigBee platform
- Router function

The ZR-PLUG-EU-M pass-through socket is part of ZB-Connection family. It includes an electricity energy meter and one relay switching on/off load up to 2,5 kW.

The ZR-PLUG-EU-M is plugged in a normal 230V socket and any kind of electrical appliances could be plugged into its socket. After its joining to a ZB-Connection ZigBee wireless network, it makes possible to switch remotely on/off the appliance and remotely measure the instantaneous active power and the energy consumption of the appliance. Functions as stand-by killer and override push button are also available. It is possible to set a power limit below of which the appliance is considered in stand-by mode and therefore the appliance is automatically switched off. With the override push-button the user can override the last switch order issues by the Gateway. Those tasks are performed by simple Modbus commands issued to the ZB-Connection Gateway that transforms those commands in wireless commands.

The device is continuously powered by the 230 Vac outlet; therefore it can also act as a repeater or a "parent" device for battery-powered sensors.

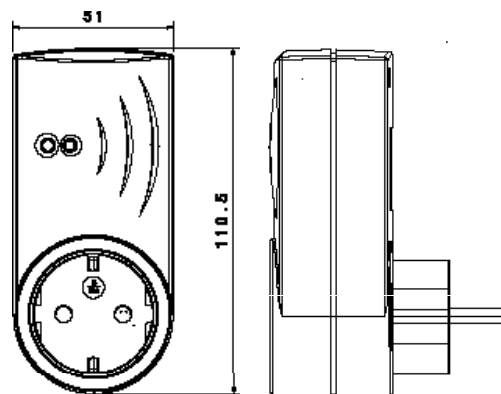
Typical Application



■ Technical Specs

| | |
|---|---|
| General characteristics | Chip Ember EM250 Compatible IEEE 802.15.4 Stack EmberZnet 3.5.x (ZigBee PRO) Modbus/RTU Device address settable via radio commands |
| RF characteristics | Frequency: 2405 MHz ÷ 2480 MHz Modulation: DSSS Nominal transmission power: 2mW (3 dBm) Receiver sensitivity: -95 dBm Internal antenna gain: 0 dB Range outdoor/indoor: 100m/30m |
| Power Supply | 90/250 Vac ; 1W; 50/60Hz |
| Measurement | Active Power [W] Energy consumption [Wh] Energy consumption measurement time [second] |
| Relay | Contacts 250V Maximum load: -Resistive: 10A -Incandescent lamps: 10A -Fluorescent lamps/transformers: 4A Expected life: 100.000 cycles with resistive load |
| Outlet | Schuko Plug, French Plug, UK Plug, Italian Plug, US Plug Schuko Socket, French Socket, UK Socket, Italian Socket, US Socket |
| Environment parameters | Operating temperature: 0 ÷ +50°C; <80% U.R. not condensing Storage temperature: -20 ÷ +70°C; <80% U.R. not condensing |
| Compliant with 2006/95/EEC, 89/336/EEC, 99/5/EEC directives Reference Norms: | ETSI EN 300 328: Radio Compatibility for digitals wide band transmissions ETSI EN 301 489: Radio Compatibility EN 55014-1:2006 + A 1:2009: Electromagnetic Compatibility - Immunity EN 61000-3-2:2006: Electromagnetic Compatibility - Emissions EN 61000-3-3:2008: Electromagnetic Compatibility - Emissions EN 55014-2: Electromagnetic Compatibility - Immunity |

■ Dimensions (mm)



Rev 2.6 02/07/2010

 **ZB-Connection** is a 4-noks brand

4-noks is a  **ZigBee**
Member

4-noks[®]

4-noks s.r.l.
Via per Sacile, 158
31018 Francenigo di Gaiarine - Treviso - Italy
Tel. (+39) 0434.768462 Fax (+39) 0438.694617
info@4-noks.com - www.4-noks.com

 **2-EMBEDCOM**

2Embedcom, sl
C/ Alemany 45, Local 2
E-08303 Mataró · Barcelona [Spain]
Tel. 0034 93 757 76 59
4noks@2embedcom.com - www.2embedcom.com