

## ZED-TIDCI-M

### ZigBee S0 pulse counter



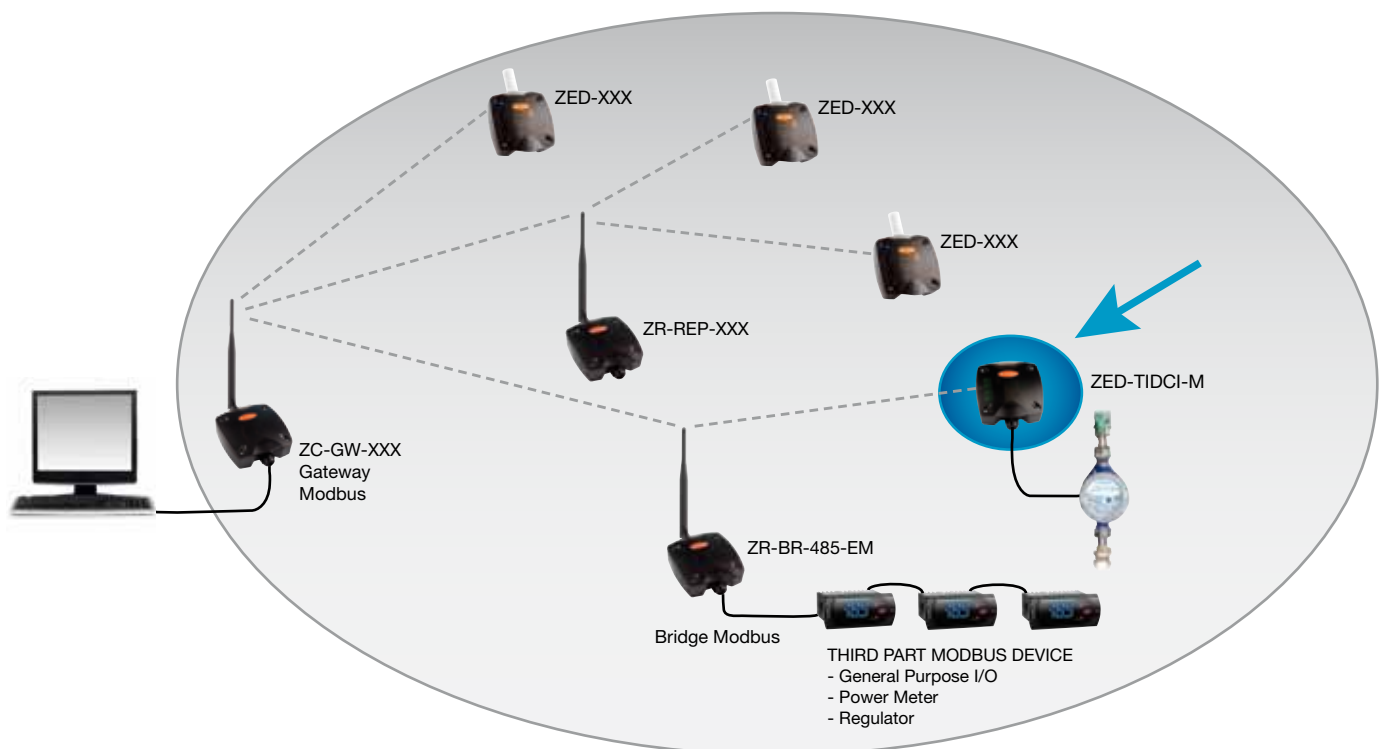
#### Key Features

- 2 pulse counter inputs S0 compatible
- 2 thermal resistor inputs (NTC resistors not included)
- Sampling and transmission rates are configurable
- Battery powered
- Internal antenna

The ZED-TIDCI-M is a battery powered ZigBee device, capable to count pulses emitted from flow rate meters (water, gas, electricity,...) and to measure the temperature from both the 2 on board NTC inputs. Pulse counters and temperature samples are sent at regular intervals to a gateway of 4-noks products family.

Moreover, if temperature sensors are installed into an hydraulic circuit in the inlet and outlet pipes this device can send the difference between them.

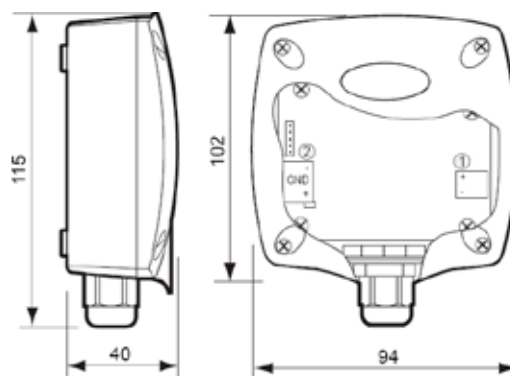
#### Typical Application



## ■ Technical Specs

General characteristics	<p>Chip Ember EM250            Compatible IEEE 802.15.4            Stack EmberZnet 3.4.x (ZigBee PRO)            Modbus/RTU            Device address settable via internal dip-switch            Wall mounting with screws            Cable gland: PG9</p>
RF characteristics	<p>Frequency: 2405 MHz ÷ 2480 MHz            Modulation: DSSS            Nominal transmission power: 2mW (3 dBm)            Reception sensitivity: -95 dBm            Internal antenna gain: 0 dB            Coverage outdoor/indoor: 100m/30m</p>
Supply	<p>AA high energy density lithium battery 3,6V/2000mAh            Battery life: 2 years in case of 1 transmission per minute at 20°C</p>
NTC thermal resistor input	<p>NTC type resistor            103AT type (R25 = 10 KOhm; Beta = 3435K)            Measurement range: -50°C ÷ +110°C            Measurement resolution: 0,1°C            Measurement accuracy : ±0,5°C            Measures are linearized at tenth of degree</p>
Digital inputs	<p>Electronic type not insulated inputs for clean contact            Short circuit current 0,01mA. Use self-cleaning contact</p>
Connections	<p>Pull out terminals (3,81 mm pitch)</p>
Environment parameters	<p>Operating temperature: -10 ÷ +60°C; &lt;80% U.R. not condensing            Storage temperature: -20 ÷ +70°C; &lt;80% U.R. not condensing            Degree of protection: IP 55</p>
Compliant with 2006/95/EEC, 89/336/EEC, 99/5/EEC directives Reference Norms:	<p>ETSI EN 300 328: Radio Compatibility for digitals wide band transmissions            ETSI EN 301 489: Radio Compatibility            EN 61000-6-2: Electromagnetic Compatibility - Emissions            EN 61000-6-3: Electromagnetic Compatibility - Immunity            EN 60950-1: Electric Safety</p>

## ■ Dimensions (mm)



Rev 2.4 30/09/2009

 **ZB-Connection** is a 4-noks brand

4-noks is a  **ZigBee**  
Member

**4-noks**<sup>®</sup>

4-noks s.r.l.  
 Via per Sacile, 158  
 31018 Francenigo di Gaiarine - Treviso - Italy  
 Tel. (+39) 0434.768462 Fax (+39) 0438.694617  
 info@4-noks.com - www.4-noks.com

 **2-EMBEDCOM**

2Embedcom, sl  
 C/ Alemania 45, Local 2  
 E-08303 Mataró · Barcelona [Spain]  
 Tel. 0034 93 757 76 59  
 4noks@2embedcom.com - www.2embedcom.com