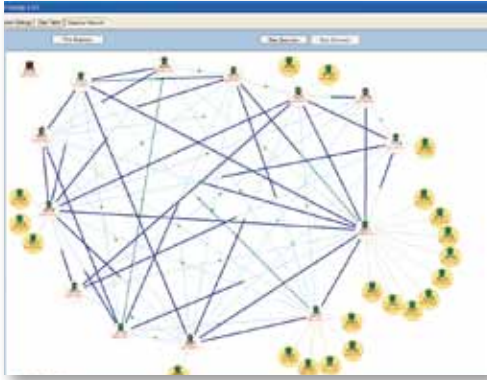


Z-CONFIG-M

Z-Config sniffer for ZB-Connection network



Key Features

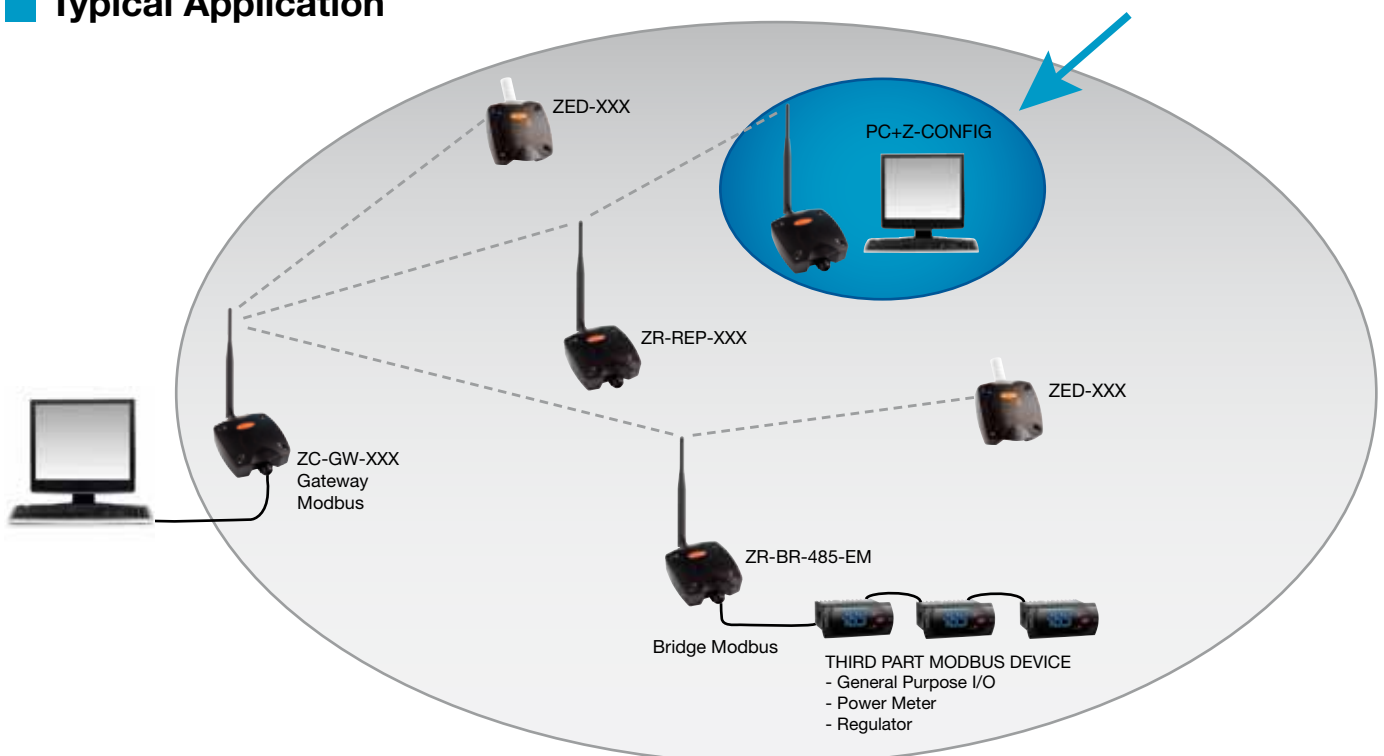
- Non-invasive ZB-Connection network analysis
- Works with specific Usb device
- Detections of weaknesses in the network infrastructure

Z-Config (Sniffer version) is a software for personal computers that allows analysis of ZB-Connection networks. Z-Config allows you to view in graphic form the quality of radio connections between routers that make up the network.

The program works in conjunction with a specific USB device which constitutes the interface between program and devices that form radio network.

With information obtained in graphic form by Z-Config you can identify weakness in the network, therefore it represents a useful tool in the test phase of the installation.

Typical Application



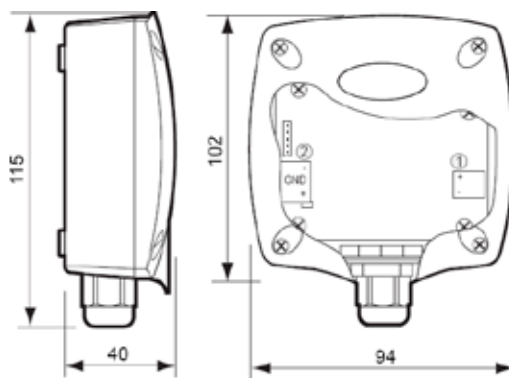
Z-Config Technical Specs

Required operative systems	Microsoft Windows XP, Vista
Framework	DotNetFramework version 2.0
System Requirement	Pentium 133 MHz or faster 256 MB or higher Video: 800 x 600, 256 colors; recommended: High Color 16-bit 10 GB hard disk space

USB Device Technical Specs

General characteristics	Chip Ember EM2420 Compatible IEEE 802.15.4 Stack EmberZnet 3.4.x (ZigBee PRO) Modbus/RTU
RF characteristics	Frequency: 2405 MHz ÷ 2480 MHz Modulation: DSSS Nominal transmission power: 1mW (0 dBm) Reception sensitivity: -92 dBm Extern antenna Gain: 5,5 dB Coverage outdoor/indoor: 100m/30m
Supply	+5Vdc from USB; 100mA
Connections	USB 2.0
Environment parameters	Operating temperature: -10 ÷ +60°C; <80% U.R. not condensing Storage temperature: -20 ÷ +70°C; <80% U.R. not condensing Degree of protection: IP 50
Compliant with 2006/95/EEC, 89/336/EEC, 99/5/EEC directives Reference Norms:	ETSI EN 300 328: Radio Compatibility for digitals wide band transmissions ETSI EN 301 489: Radio Compatibility EN 61000-6-2: Electromagnetic Compatibility - Emissions EN 61000-6-3: Electromagnetic Compatibility - Immunity EN 60950-1: Electric Safety

USB Device Dimensions (mm)



Rev 2.4 30/09/2009

 **ZB-Connection** is a 4-noks brand

4-noks is a  **ZigBee**
Member

4-noks

4-noks s.r.l.
Via per Sacile, 158
31018 Francenigo di Gaiarine - Treviso - Italy
Tel. (+39) 0434.768462 Fax (+39) 0438.694617
info@4-noks.com - www.4-noks.com

2-EMBEDCOM

2Embedcom, sl
C/ Alemany 45, Local 2
E-08303 Mataró · Barcelona [Spain]
Tel. 0034 93 757 76 59
4noks@2embedcom.com - www.2embedcom.com