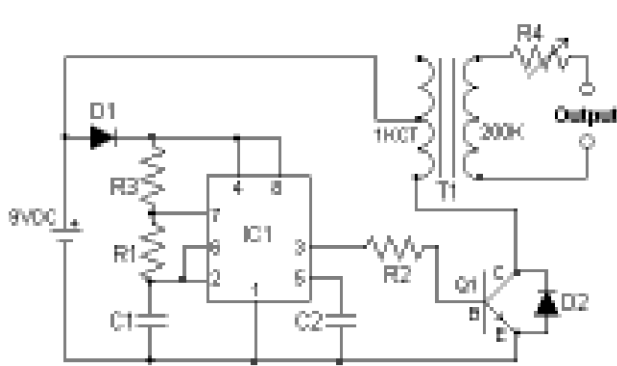
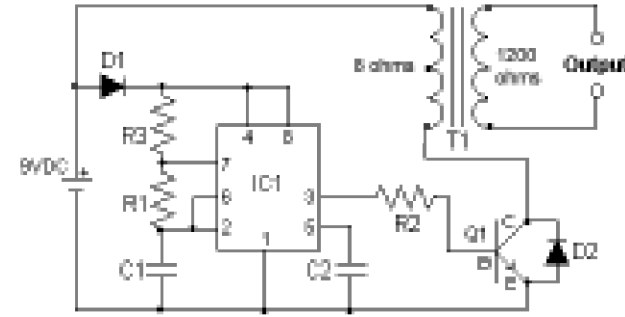


This plan and others can be found at:
<http://www.personalarms.com/schematics.htm>

Our design was *slightly* modified



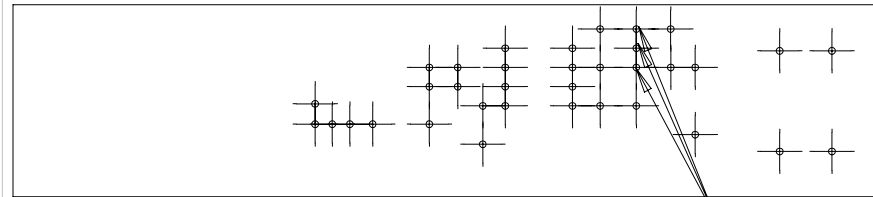
STUN GUN
 © 1997 Mark Stoker
Parts:
 R1, R2: 1K
 R3: 47K
 R4: 1M Variable (optional)
 C1: 0.1 or 0.47 μ F
 C2: 0.01 μ F
 D1: 914 or 1N4148
 D2: 1N4005
 Q1: TIP 31
 IC1: 555
 T1: Miniature Audio Transformer
 200K to 1K CT INPUT



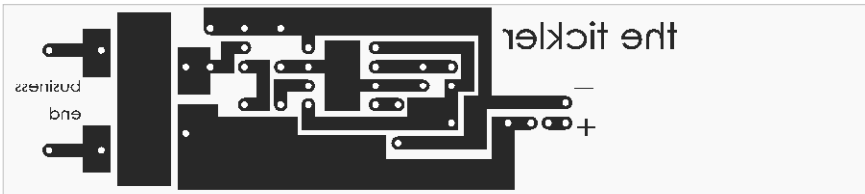
TICKLER
Parts:
 R1: 1.5K
 R2: 1K
 R3: 47K
 C1: .1uf
 C2: .01uf
 D1: 1N4148
 D2: 1N4005
 Q1: TIP 31
 IC1: 555
 T1: audio transformer
 141P 1200:8

HOLE LAYOUT

all holes 1/32" unless marked
 tape this on top of copper traces.
 Then lightly centerpunch all holes.

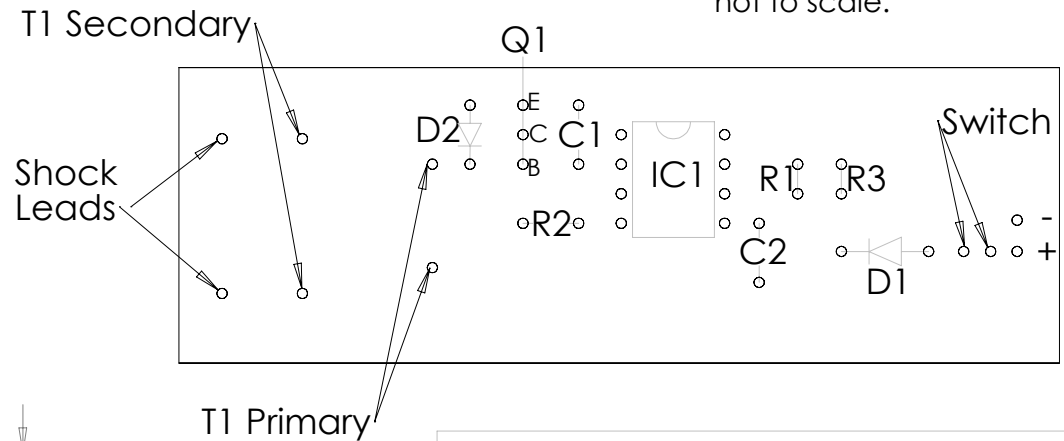


4.500



PRINT OUT THIS IMAGE TO MAKE TRANSFER

COMPONENT LAYOUT All components mount to non copper side of board. not to scale.



www.mechanicalmashup.tv

SCALE: 1-1

THE TICKLER