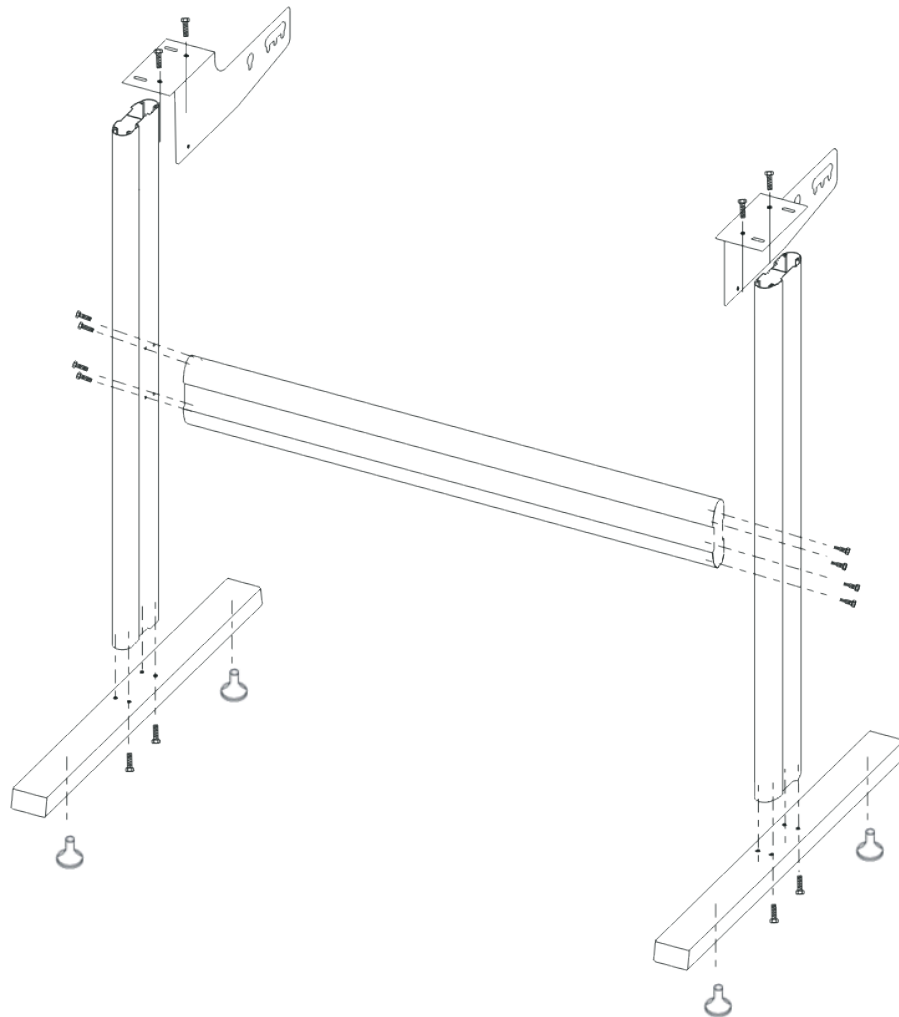


Stand Assembly



Take parts of the stand out of the pack, open the parts bag, assemble the stand as the diagram shows. After installation place the cutter on the top bracket support with the screw holes lined up, then fasten it with screws.