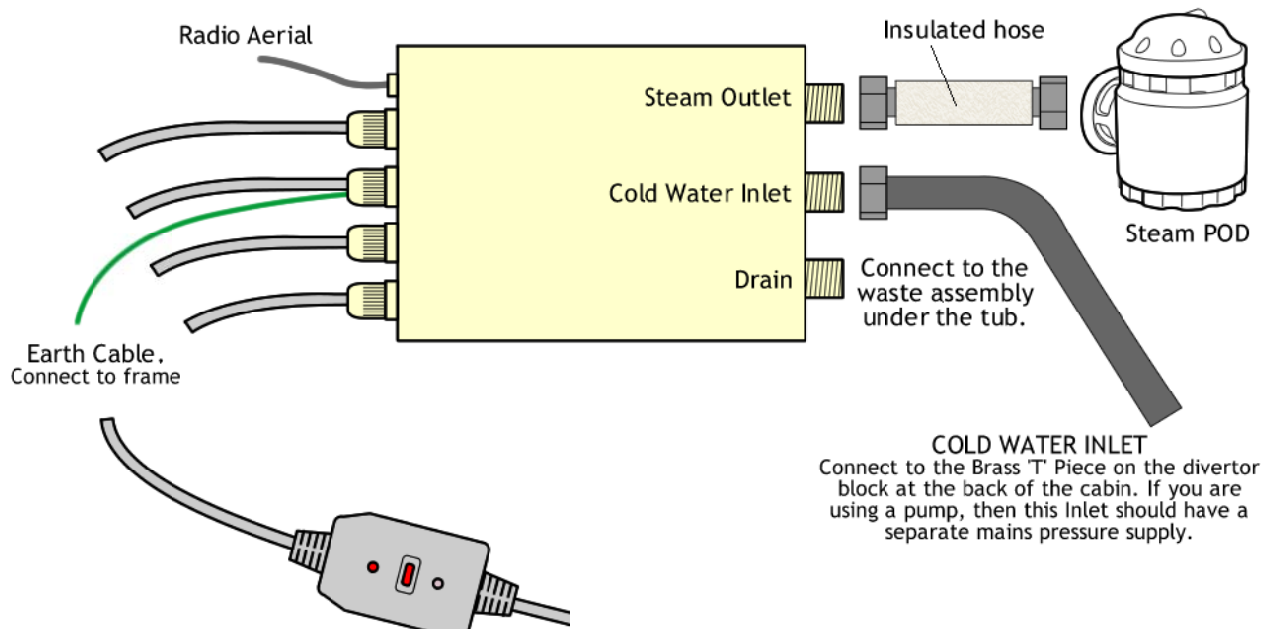


Steam Shower connections explained



DANGER! NEVER INSTALL THE SHOWER WITH A PLUG & SOCKET IN YOUR BATHROOM

