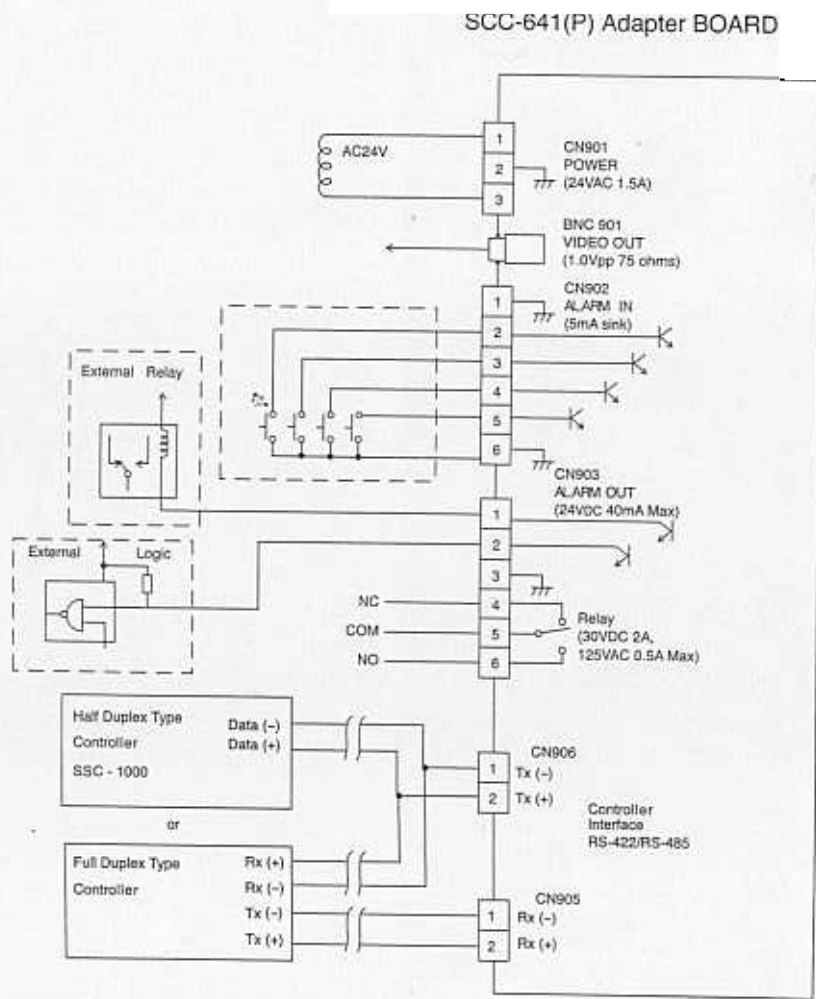


ADAPTER CONNECTION

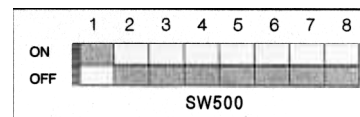


INITIAL SETTING

CAMERA ADDRESS SETUP

Dip Switch setting is same as the following example:

EX) CAMERA ADDR: When it's number 1, set as follows.

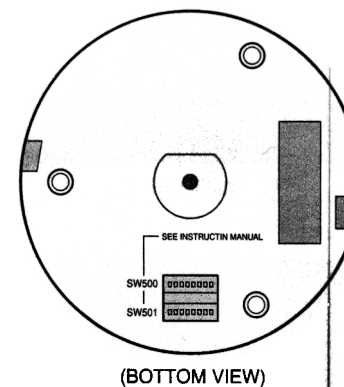


Setting communication Protocol

Use number 5-8 PIN of SW501 to set communication Protocol.

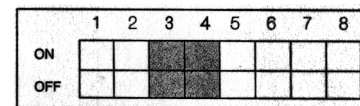
Comp	PIN5	PIN6	PIN7	PIN8
A	OFF	OFF	OFF	OFF
B	ON	OFF	OFF	OFF
C	OFF	ON	OFF	OFF
D	ON	ON	OFF	OFF
E	OFF	OFF	ON	OFF
F	ON	OFF	ON	OFF
G	OFF	ON	ON	OFF
H	ON	ON	ON	OFF
I	OFF	OFF	OFF	ON
J	ON	OFF	OFF	ON
K	OFF	ON	OFF	ON
L	ON	ON	OFF	ON
M	OFF	OFF	ON	ON
N	ON	OFF	ON	ON
O	OFF	ON	ON	ON
P	ON	ON	ON	ON

A : SAMSUNG(SSC-1000)HALF
B : SAMSUNG(SSC-1000)FULL



Baud Rate Setting

Use PIN 3 and 4 of SW501.

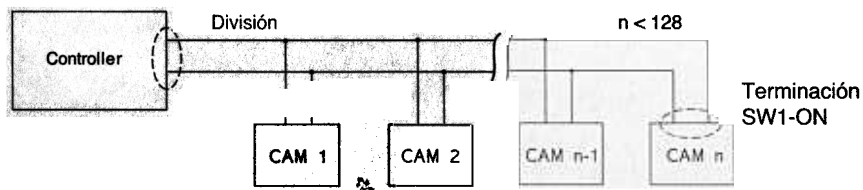


BAUD RATE	PIN 3	PIN 4
4800 BPS	ON	ON
9600 BPS	OFF	ON
19200 BPS	ON	OFF
38400 BPS	OFF	OFF

Ajuste de la terminación RS-422/RS-485

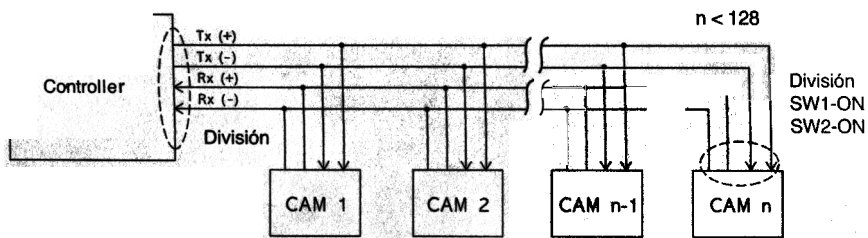
	1	2	3	4	5	6	7	8
ON	■	■						
OFF	■	■						

Como muestra la figura cuando se conectan varios SCC-641P a un controlador (por ej. El SSC-1000) el último domo debe ser terminado en cuanto a impedancia del cable.



<Conexión RS-422A / RS-485 en HALF DUPLEX>

Para ello se deben usar los interruptores 1 y 2, en ON significa final de la línea.



<Conexión RS-422A/RS485 en FULL DUPLEX>

PRECAUCION

Si se programan varios domos con la misma dirección puede ocurrir un fallo de comunicaciones.

CONFIGURACIÓN CONMUTADORES

Dirección de receptor	SW500-1	SW500-2	SW500-3	SW500-4	SW500-5	SW500-6	SW500-7	SW500-8
0	OFF	OFF	OFF	OFF	OFF	OFF	OFF	OFF
1	ON	OFF	OFF	OFF	OFF	OFF	OFF	OFF
2	OFF	ON	OFF	OFF	OFF	OFF	OFF	OFF
3	ON	ON	OFF	OFF	OFF	OFF	OFF	OFF
4	OFF	OFF	ON	OFF	OFF	OFF	OFF	OFF
5	ON	OFF	ON	OFF	OFF	OFF	OFF	OFF
6	OFF	ON	ON	OFF	OFF	OFF	OFF	OFF
7	ON	ON	ON	OFF	OFF	OFF	OFF	OFF
8	OFF	OFF	OFF	ON	OFF	OFF	OFF	OFF
9	ON	OFF	OFF	ON	OFF	OFF	OFF	OFF
10	OFF	ON	OFF	ON	OFF	OFF	OFF	OFF
11	ON	ON	OFF	ON	OFF	OFF	OFF	OFF
12	OFF	OFF	ON	ON	OFF	OFF	OFF	OFF
13	ON	OFF	ON	ON	OFF	OFF	OFF	OFF
14	OFF	ON	ON	ON	OFF	OFF	OFF	OFF
15	ON	ON	ON	ON	OFF	OFF	OFF	OFF
16	OFF	OFF	OFF	OFF	ON	OFF	OFF	OFF
17	ON	OFF	OFF	OFF	ON	OFF	OFF	OFF
18	OFF	ON	OFF	OFF	ON	OFF	OFF	OFF
19	ON	ON	OFF	OFF	ON	OFF	OFF	OFF
20	OFF	OFF	ON	OFF	ON	OFF	OFF	OFF
21	ON	OFF	ON	OFF	ON	OFF	OFF	OFF
22	OFF	ON	ON	OFF	ON	OFF	OFF	OFF
23	ON	ON	ON	OFF	ON	OFF	OFF	OFF
24	OFF	OFF	OFF	ON	ON	OFF	OFF	OFF
25	ON	OFF	OFF	ON	ON	OFF	OFF	OFF
26	OFF	ON	OFF	ON	ON	OFF	OFF	OFF
27	ON	ON	OFF	ON	ON	OFF	OFF	OFF
28	OFF	OFF	ON	ON	ON	OFF	OFF	OFF
29	ON	OFF	ON	ON	ON	OFF	OFF	OFF
30	OFF	ON	ON	ON	ON	OFF	OFF	OFF
31	ON	ON	ON	ON	ON	OFF	OFF	OFF
32	OFF	OFF	OFF	OFF	OFF	ON	OFF	OFF
33	ON	OFF	OFF	OFF	OFF	ON	OFF	OFF
34	OFF	ON	OFF	OFF	OFF	ON	OFF	OFF
35	ON	ON	OFF	OFF	OFF	ON	OFF	OFF
36	OFF	OFF	ON	OFF	OFF	ON	OFF	OFF
37	ON	OFF	ON	OFF	OFF	ON	OFF	OFF
38	OFF	ON	ON	OFF	OFF	ON	OFF	OFF
39	ON	ON	ON	OFF	OFF	ON	OFF	OFF
40	OFF	OFF	OFF	ON	OFF	ON	OFF	OFF
41	ON	OFF	OFF	ON	OFF	ON	OFF	OFF
42	OFF	ON	OFF	ON	OFF	ON	OFF	OFF
43	ON	ON	OFF	ON	OFF	ON	OFF	OFF
44	OFF	OFF	ON	ON	OFF	ON	OFF	OFF
45	ON	OFF	ON	ON	OFF	ON	OFF	OFF
46	OFF	ON	ON	ON	OFF	ON	OFF	OFF
47	ON	ON	ON	ON	OFF	ON	OFF	OFF
48	OFF	OFF	OFF	OFF	ON	ON	OFF	OFF
49	ON	OFF	OFF	OFF	ON	ON	OFF	OFF
50	OFF	ON	OFF	OFF	ON	ON	OFF	OFF
51	ON	ON	OFF	OFF	ON	ON	OFF	OFF
52	OFF	OFF	ON	OFF	ON	ON	OFF	OFF
53	ON	OFF	ON	OFF	ON	ON	OFF	OFF
54	OFF	ON	ON	OFF	ON	ON	OFF	OFF
55	ON	ON	ON	OFF	ON	ON	OFF	OFF

Es



NO	Funzione	Contenuto
1	Capacità di memoria	256MB
2	Alimentazione	Li-Ion
3	Contatto di carica	USB
4	Alimentazione di rete	AC
5	Alimentazione di rete	AC
6	Alimentazione di rete	AC
7	Alimentazione di rete	AC
8	Alimentazione di rete	AC
9	Alimentazione di rete	AC
10	Alimentazione di rete	AC
11	Alimentazione di rete	AC
12	Alimentazione di rete	AC
13	Alimentazione di rete	AC
14	Alimentazione di rete	AC
15	Alimentazione di rete	AC
16	Alimentazione di rete	AC
17	Alimentazione di rete	AC
18	Alimentazione di rete	AC
19	Alimentazione di rete	AC
20	Alimentazione di rete	AC
21	Alimentazione di rete	AC
22	Alimentazione di rete	AC
23	Alimentazione di rete	AC
24	Alimentazione di rete	AC
25	Alimentazione di rete	AC
26	Alimentazione di rete	AC
27	Alimentazione di rete	AC
28	Alimentazione di rete	AC
29	Alimentazione di rete	AC
30	Alimentazione di rete	AC

Part : AB68-00393A(03)
Printed in China